

## Technical Information

No. 5467

Edition: 01/07

Substitutes: new

Status: valid

## Xenon Short Arc Lamp

# XBO<sup>®</sup> 3000 W/DTP OFR

### ■ Product description

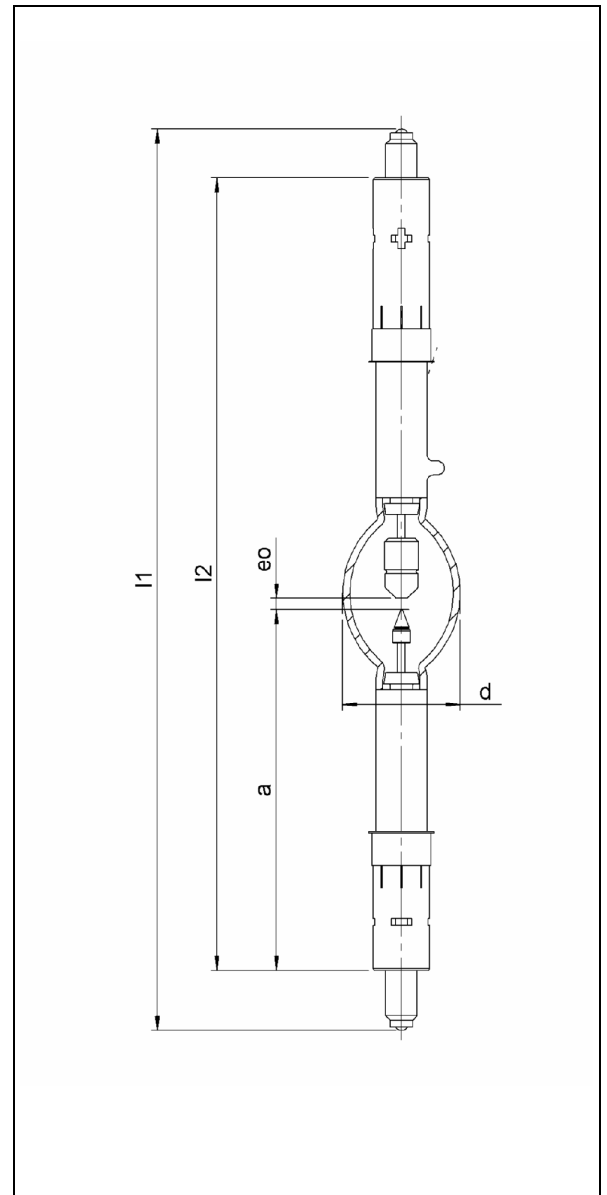
The OSRAM XBO<sup>®</sup> 3000 W/DTP OFR. DTP stands for Digital Threaded Pin. Produced with the latest high brightness XBO technology. A new generation of high light output lamps specially developed for applications requiring excellent arc stability and maximum efficiency of its luminance.

### ■ Technical data

Order reference		XBO <sup>®</sup> 3000 W/DTP OFR
Rated lamp wattage	W	3000
Rated lamp voltage	V	27
Rated lamp current (=)	A	110
Current control range	A	60 - 120
Ignition voltage	kV <sub>s</sub>	33
Min. open circuit voltage for cold / hot ignition	V	85 / 110
Luminous flux	lm	130000
Luminous intensity	cd	15000
Average luminance	cd/cm <sup>2</sup>	120000
Luminous area w x h <sup>*)</sup>	mm	1.5 x 4.0
Electrode gap e (cold)	mm	5.0
Lamp length (overall) L <sub>1</sub>	mm	max. 403
Lamp length L <sub>2</sub>	mm	max. 352
LCL a	mm	160
Bulb diameter d	mm	60
Average service life	h	2000
Warranty	h	1500

Base  
Cathode: SFa 27-14  
Anode: SFc 27-14

\*) w = luminance half width value; h = height of luminance area (corresponds to electrode gap, hot)



### ■ Lamp operation

Maximum permissible base temperature	°C	230
Cooling		forced cooling / fan
Min. air flow velocity around discharge vessel	m/s	6
Magnetic arc stabilization		Necessary for horizontal operation
Burning position		s 30 (vertical ± 30°; anode up) ; p 30 (horizontal ± 30°)